



safety

FOR SAFE
WORKING LIVES

STAINLESS STEEL PRODUCTS

2018 EDITION





safety

Contents

- 3 // Grade 60 Stainless Steel Lifting Chain & Fittings**
- 3-4 // Cromox Grade 60 Stainless Steel Chain Slings**
- 5-6 // Cromox Oblong Master and Sub-Assembly with Flattened Section**
- 7 // Cromox Clevis Hooks, Eye Hooks and Accessories**
- 8 // Stainless Steel Wire Ropes & Fittings**
- 9-11 // Stainless Steel Wire Rope & Ferrules**
- 12 // Stainless Steel Chain**
- 13-24 // Stainless Steel Fittings**

GRADE 60 STAINLESS STEEL LIFTING CHAIN & FITTINGS

CROMOX Grade 60 Stainless Steel Chain Slings **CROMOX**

Cromox Chain Slings and Accessories from Ketten Walder provide safety for demanding lifting and heavy-duty transports with superior protection against corrosion in harsh environments and increased longevity. Cromox chain slings are designed in Germany for superior safety and durability.

Ring-and hook-ended Slings similar DIN 5688-1 Grade 60

Method of lifting Angle of inclination	W.L.L. in (t)					
	1-Leg		2-Leg, 3-Leg & 4-Leg			
	Direct	Tied	Direct	Tied	Direct	Tied
Nominal chain thickness acc. to DIN 5687						
4	0.35	0.30	0.50	0.40	0.35	0.30
5	0.60	0.45	0.85	0.65	0.60	0.45
6	0.90	0.70	1.25	1.00	0.90	0.70
7	1.20	0.95	1.65	1.35	1.20	0.95
8	1.50	1.20	2.10	1.65	1.50	1.20
10	2.40	1.90	3.35	2.70	2.40	1.90
13	3.85	3.10	5.40	4.30	3.85	3.10
16 (G5)	5.00	4.00	7.00	5.60	5.00	4.00
18 (G5)	7.00	5.60	9.80	7.80	7.00	5.60
The above-mentioned working load limits correspond approximately to the following load factors:						
	1.00	0.80	1.40	1.12	1.00	0.80
The strain must be reduced to 50 % of the W.L.L. for unbalanced lifting.						

Dependent on chain type and method of lifting.

Note: Slings ending in Shackles may need to be de-rated to Grade 50 in some cases.

Loop chains vertically hanging

Method of lifting Angle of inclination	W.L.L. in (t)			
	Direct 0°	Direct 0°	Tied 0°	Tied 0°
Nominal chain thickness acc. to DIN 5687				
4	0.70	1.40	0.55	1.10
5	1.20	2.40	0.95	1.90
6	1.80	3.60	1.45	2.85
7	2.40	4.80	1.90	3.85
8	3.00	6.00	2.40	4.80
10	4.80	9.60	3.85	7.70
13	7.70	15.40	6.20	12.30
16 (G5)	10.00	20.00	8.00	16.00
18 (G5)	14.00	28.00	11.20	22.40

Basket chain with Master Link

Method of lifting Angle of inclination	W.L.L. in (t)			
	90°	120°	90°	120°
Nominal chain thickness acc. to DIN 5687				
4	0.50	0.40	0.75	0.55
5	0.85	0.65	1.25	0.90
6	1.25	1.00	1.90	1.35
7	1.65	1.35	2.50	1.80
8	2.10	1.65	3.15	2.25
10	3.35	2.70	5.00	3.60
13	5.40	4.30	8.10	5.80
16 (G5)	7.00	5.60	10.00	7.50
18 (G5)	9.80	7.80	14.70	10.50

The above-mentioned working load limits correspond approximately to the following load factors:

2.00	2x2	1.60	3.20	1.40	1.12	2.10	1.50
In (presumably arising) bending stresses the working load must be reduced as follows:							
1.60	2 x 1.60			1.10	0.80	1.70	1.20

The strain must be reduced to 50 % of the W.L.L. for unbalanced lifting.

Dependent on chain type and method of lifting.

CROMOX Chains



CROMOX Chain Slings Grade 60 similar
DIN 5688-1 Sand blasted

Type	Chain W.L.L.	Dimensions mm				Weight kg
	t	d	t	b ₁ min	b ₂ max	
*CK 4	0.35	4.0	12.0	5.0	13.7	0.350
KW-CK5	0.60	5.0	15.0	6.5	18.5	0.540
KW-CK6	0.90	6.0	18.0	7.8	22.2	0.800
KW-CK7	1.20	7.0	21.0	9.1	25.9	1.100
KW-CK8	1.50	8.0	24.0	10.4	29.6	1.400
KW-CK10	2.40	10.0	30.0	13.0	37.0	2.200
KW-CK13	3.85	13.0	39.0	16.9	48.1	3.800
KW-CK16 (G5)	5.00	16.0	48.0	20.8	59.2	5.700
*CK 18 (G5)	7.00	18.0	54.0	24.3	64.8	7.300

*On Request.



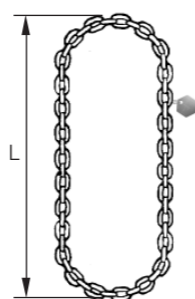
Advantages of electropolishing
Electrolytic polishing is an electro-chemical process for surface treatment which causes ferritic ions to leave the material surface. The intended purpose is to reduce the microroughness. Therefore dirt or product remains are much more unlikely to stick to the chain. The cleanability is improved. Electrolytic polishing is also used for deburring, buffing or passivating.

The process effects a metallurgical clean surface without defects. The material's corrosion resistance is fully exploited.

This section on Request.

CROMOX Loop Chains CELK.
Grade 60 bright polished

Type	W.L.L. vertical t	W.L.L. t	W.L.L. t
CELK 4	0.70	0.50	0.40
CELK 5	1.20	0.85	0.65
CELK 6	1.80	1.25	1.00
CELK 7	2.40	1.65	1.35
CELK 8	3.00	2.10	1.65
CELK 10	4.80	3.35	2.70
CELK 13	7.70	5.40	4.30
CELK16 (G5)	10.00	7.00	5.60



L = Length 1000 mm Circumference 2000 mm

Note:
Custom sizes and finishes upon request

Working Load Limit dependent on chain temperature

450°C	-40°C to +250°C	over 250°C to 350°C*	over 350°C to 450°C
W.L.L.	100%	75%	50%

*1.4462 (AISI 318LN) max 350°C allowed

CROMOX Oblong Master and Sub-Assembly with Flattened Section

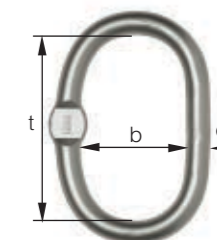


CROMOX Oblong Master CAGF. Grade 60
for 1- and 2-leg chain slings. Sand blasted

All master links have a flattened section to allow the use of connectors (e.g. clevis shackles type CGS)

Type	W.L.L.	for Chain		Dimensions mm			Weight kg
	t	1 - leg	2 - leg	d	t	b	
*KW-CAGF10	0.60	5	4	10	80	50	0.150
KW-CAGF13	1.50	6/7/8	5/6	13	110	60	0.340
KW-CAGF16	2.40	10	7/8	16	110	60	0.530
KW-CAGF18	3.35	-	10	18	135	75	0.800
KW-CAGF22	6.00	13/16	13	22	160	90	1.500
KW-CAGF26	8.00	18	16	26	180	100	2.300
KW-CAGF32	12.00	20	18	32	200	110	3.900
*KW-CAGF36	16.00	-	20	36	260	140	6.350

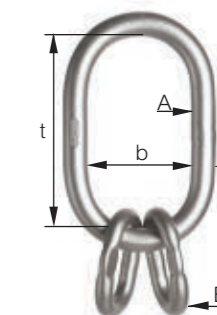
*On Request. *Angle of indination 90°



CROMOX Sub-Assembly CAKF. Grade 60
for 3- and 4-leg chain slings. Sand blasted

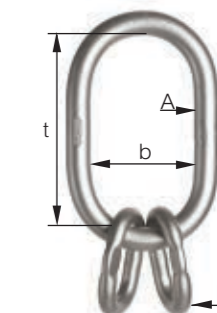
Type	W.L.L.		for Chain	Dimensions mm			Weight kg
	90°	120°		d	t	b	
*CAKF13/10	1.25	0.90	5	A 13 B 10	110 44	60 25	0.520
KW-CAKF16/13	2.50	1.80	6	A 16 B 13	110 54	60 25	0.970
KW-CAKF18/16	3.15	2.25	7/8	A 18 B 16	135 70	75 34	1.600
KW-CAKF22/16	5.00	3.60	10	A 22 B 18	160 85	90 40	2.760
*CAKF26/22	8.00	5.70	13	A 26 B 22	180 115	100 50	4.450
*CAKF32/26	10.00	7.50	16	A 32 B 26	200 140	110 65	7.550

*On Request.



CROMOX Sub-Assembly CAKF. Grade 50
for 3- and 4-leg chain slings. Sand blasted

Type	W.L.L.		for Chain	Dimensions mm			Weight kg
	90°	120°		d	t	b	
KW-178622BK	1.70	1.25	8	A 22 B 16	160 70	90 34	2.300
KW-178626BK	2.80	2.00	10	A 26 B 18	180 85	100 40	3.560



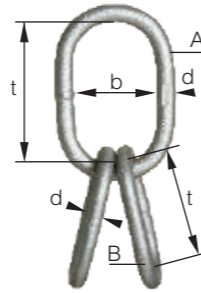
CROMOX Oblong Master and Sub-Assembly without Flattened Section

CROMOX®

CROMOX Sub-Assembly for Ropes
CAKS. Grade 60 blasted

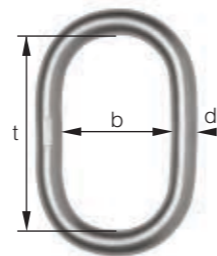
New

Type	W.L.L. t		Dimensions mm			Weight ca.kg
	45°	60°	d	t	b	
CAKS16/13	1.80	1.25	A 16 B 13	110 110	60 60	1.210
CAKS16/16	2.40	1.70	A 16 B 16	110 110	60 60	1.590
CAKS18/16	3.25	2.25	A 18 B 16	135 110	75 60	1.860
CAKS22/18	5.00	3.50	A 22 B 18	160 135	90 75	3.100
CAKS26/22	8.50	5.95	A 26 B 22	180 160	100 90	5.400
CAKS32/26	10.75	7.50	A 32 B 26	200 180	110 100	8.500
CAKS36/32	13.60	9.50	A 36 B 32	260 200	140 110	14.150



CROMOX Oblong Master CAG. Grade 60
1- and 2-leg. Sand blasted

Type	W.L.L. t	for Chain		Dimensions mm			Weight kg
		1 – leg	2 – leg	d	t	b	
*CAG 8	0.30	4	–	8	54	30	0.070
KW-CAG10	0.60	5	4	10	80	50	0.150
KW-CAG13	1.50	6/7/8	5/6	13	110	60	0.340
*CAG 16	2.40	10	7/8	16	110	60	0.530
*CAG 18	3.35	–	10	18	135	75	0.800
*CAG 22	6.00	13/16	13	22	160	90	1.500
*CAG 26	8.00	18	16	26	180	100	2.300
*CAG 32	12.00	20	18	32	200	110	2.900
*CAG 36	16	–	20	36	260	140	6.350

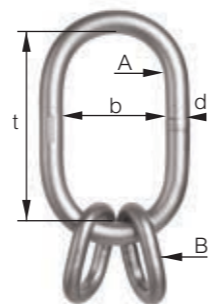


*On Request.

This section
on Request.

CROMOX Sub-Assembly CAK. Grade 60 3- and 4-leg. Sand blasted

Type	W.L.L. t		for Chain	Dimensions mm			Weight kg
	90°	120°		d	t	b	
CAK 10/ 8	0.75	0.55	4	A10 B 8	80 35	50 19	0.240
CAK 13/10	1.25	0.90	5	A13 B10	110 44	60 25	0.520
CAK 16/13	2.50	1.80	6/7	A16 B13	110 54	60 25	0.970
CAK 18/16	3.15	2.25	8	A18 B16	135 70	75 34	1.600
CAK 22/18	5.00	3.60	10	A22 B18	160 85	90 40	2.760
CAK 26/22	8.00	5.70	13	A26 B22	180 115	100 50	4.450
CAK 32/26	10.00	16	16	A32 B26	200 140	110 65	7.550



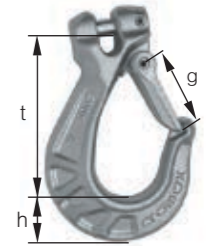
CROMOX Clevis Hooks, Eye Hooks and Accessories

CROMOX®

CROMOX Clevis Hooks CGHF. Grade 60
with safety latch. Sand blasted

Type	W.L.L.	Dimensions mm			Weight kg
	t	t	g	h	
*CGHF 05	0.60	79	25	22	0.400
KW-CGHF 06	0.90	78	25	22	0.400
KW-CGHF07/08	1.50	97	32	28	0.760
KW-176610GB	2.40	121	41	34	1.440
*KW-176613GB	3.20	143	48	47	2.600
*KW-176616GB	5.00	180	69	57	4.900

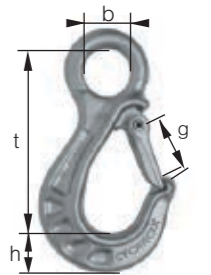
*Discontinued Line



CROMOX Eye Hooks COHF. Grade 60
with safety latch. Sand blasted

Type	W.L.L.	Dimensions mm				Weight kg
	t	t	g	b	h	
*COHF 04	0.40	75	20	17	17	0.185
KW-COHF05/06	0.90	100	25	25	22	0.350
KW-175608GB	1.25	126	32	27	28	0.790
KW-175610GB	2.00	160	39	37	34	1.370
KW-175613GB	3.20	190	51	48	45	3.000
*COHF 16 (G5)	5.00	230	66	55	51	4.800
*COHF 18 (G5)	7.00	230	66	55	51	4.800

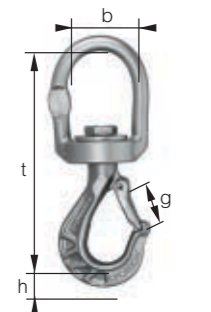
*On Request.



CROMOX Swivel Load Hooks
with eyelet CWHB. Grade 60 blasted

New

Type	W.L.L.	Dimensions mm				Weight kg
	t	t	g	b	h	
CWHB 4/5	0.63	120	20	40	16.0	0.650
CWHB 6/7	1.25	165	25	49	21.0	0.988
CWHB 8/10	2.50	235	40	64	33.0	2.710



Advantages:

- Duplex material 1.4462 (AISI 316LN) ensures superior corrosion resistance
- Ball bearings allow easy rotation even under full load
- Large eyelet dimensions for multiple applications
- Patented Skeletto design guarantees high admissible loads
- Flattened section on the eyelet enables combination with cromox Clevis Shackles CGS.

STAINLESS STEEL WIRE ROPES & FITTINGS

Stainless Steel Wire Ropes and Fittings

Our Stainless Steel Wire Ropes and Fittings are manufactured from both 304 and 316 stainless steel. We source our stainless steel from the finest mills worldwide and pride ourselves on our quality and consistency.

Stainless steel is mainly used in corrosive applications, in particular marine and waste management environments. Other applications include decorative balustrading and outdoor use.

304 and 316 Grade Stainless Steel

- 304 Grade stainless steel is considered to be a standard grade. It has excellent resistance to corrosion, however has some limitations in higher corrosive environments.

- 316 Grade stainless steel, also known as marine grade stainless steel, has a higher corrosion resistance than 304 grade stainless steel and is better in harsher corrosive applications, such as salt water environments. It is suitable for food and pharmaceutical processing applications and is commonly used on boats, and coastal environments.

There are three common constructions of stainless steel wire rope used in rigging applications.

7 x 19

The most common and versatile construction of stainless steel wire rope is 7 x 19. It consists of 7 strands each with 19 wires and is the most flexible and easy construction to work with. 7 x 19 can be used in either fixed rigging or for limited working rope applications such as on a boat winch.



7 x 7

A wire rope that is not as flexible as 7 x 19, is 7 x 7 wire rope, it consists of 7 strands each with 7 wires. 7 x 7 is an excellent choice for fixed rigging applications such as balustrading and safety barrier rails.

1 x 19

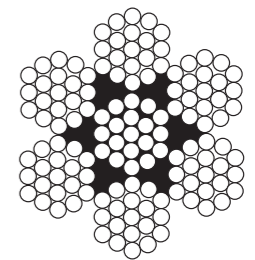
A single strand wire rope is the 1 x 19, and consists of a single strand with 19 wires. This rope is very stiff and is therefore suitable for fixed "straight line" rigging only (such as mast stays, guy ropes and structural applications).



STAINLESS STEEL WIRE ROPE & FERRULES

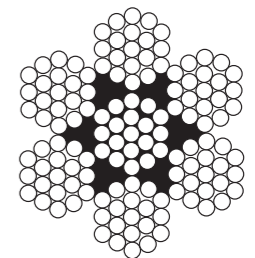
7x19 G304 Stainless Steel RHOL Wire Rope

Product Code	Dia (mm)	Construction	Grade	Finish	Lay	MBF (kN)	Approx Mass (kg/100m)	UOM	Metre per Reel
703016	1.6	7x19	304	Stainless Steel	RHOL	1.49	1.2	Metre	305
703020	2	7x19	304	Stainless Steel	RHOL	2.89	1.61	Metre	305
703025	2.5	7x19	304	Stainless Steel	RHOL	4.4	2.44	Metre	305
703030	3	7x19	304	Stainless Steel	RHOL	6.12	3.52	Metre	305
703040	4	7x19	304	Stainless Steel	RHOL	9.27	6.71	Metre	305
703050	5	7x19	304	Stainless Steel	RHOL	17.84	9.81	Metre	305
703055	5.5	7x19	304	Stainless Steel	RHOL	21.5	12.25	Metre	305
703060	6	7x19	304	Stainless Steel	RHOL	25.51	14.21	Metre	305
703080	8	7x19	304	Stainless Steel	RHOL	37.07	26.9	Metre	305
703100	10	7x19	304	Stainless Steel	RHOL	50.46	39.24	Metre	305
703112	12	7x19	304	Stainless Steel	RHOL	90.5	56.44	Metre	305
703116	16	7x19	304	Stainless Steel	RHOL	146	100.4	Metre	305
703120	20	7x19	304	Stainless Steel	RHOL	220	157	Metre	305



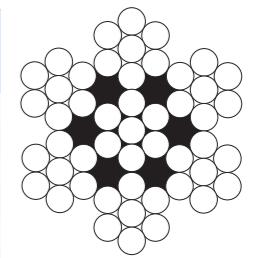
7x19 G316 Stainless Steel RHOL Wire Rope

Product Code	Dia (mm)	Construction	Grade	Finish	Lay	MBF (kN)	Approx Mass (kg/100m)	UOM	Metre per Reel
720016	1.6	7x19	316	Stainless Steel	RHOL	1.9	1.03	Metre	305
720025	2.4	7x19	316	Stainless Steel	RHOL	3.64	2.38	Metre	305
720030	3.2	7x19	316	Stainless Steel	RHOL	5.24	4.18	Metre	305
720040	4	7x19	316	Stainless Steel	RHOL	8.21	6.71	Metre	305
720050	5	7x19	316	Stainless Steel	RHOL	11.08	9.5	Metre	305
720060	6.4	7x19	316	Stainless Steel	RHOL	21.01	17	Metre	305
720080	8	7x19	316	Stainless Steel	RHOL	32.85	26.9	Metre	305



7x7 G304 Stainless Steel RHOL Wire Rope

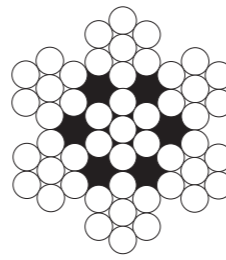
Code	Dia (mm)	Construction	Grade	Finish	Lay	MBF (kN)	Approx Mass (kg/100m)	UOM	Metre per Reel
702012	1.2	7x7	304	Stainless Steel	RHOL	0.9	0.6	Metre	305
702015	1.5	7x7	304	Stainless Steel	RHOL	1.87	0.99	Metre	305
702016	1.6	7x7	304	Stainless Steel	RHOL	1.61	1.07	Metre	305
702020	2	7x7	304	Stainless Steel	RHOL	2.49	1.68	Metre	305
702025	2.5	7x7	304	Stainless Steel	RHOL	5.56	2.53	Metre	305
702030	3	7x7	304	Stainless Steel	RHOL	6.87	3.65	Metre	305
702040	4	7x7	304	Stainless Steel	RHOL	10.01	6.73	Metre	305
702050	5	7x7	304	Stainless Steel	RHOL	12.3	10.12	Metre	305
702060	6	7x7	304	Stainless Steel	RHOL	23.17	14.75	Metre	305
702080	8	7x7	304	Stainless Steel	RHOL	41.2	26.22	Metre	305



7x7 G316 Stainless Steel RHOL Wire Rope

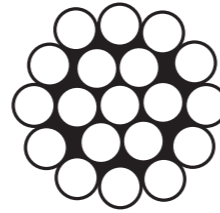


Product Code	Dia (mm)	Construction	Grade	Finish	Lay	MBF (kN)	Approx Mass (kg/100m)	UOM	Metre per Reel
702116	1.6	7x7	316	Stainless Steel	RHOL	1.89	1.12	Metre	305
702120	2	7x7	316	Stainless Steel	RHOL	2.58	1.62	Metre	305
702125	2.4	7x7	316	Stainless Steel	RHOL	3.64	2.38	Metre	305
702130	3.2	7x7	316	Stainless Steel	RHOL	6.96	4.32	Metre	305
702140	4	7x7	316	Stainless Steel	RHOL	9.5	6.48	Metre	305
702150	4.8	7x7	316	Stainless Steel	RHOL	14.64	9.84	Metre	305
702160	6.4	7x7	316	Stainless Steel	RHOL	25.32	16.37	Metre	305
702180	8	7x7	316	Stainless Steel	RHOL	35.6	25.96	Metre	305



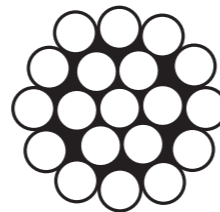
1x19 G304 Stainless Steel RHOL Wire Rope

Product Code	Dia (mm)	Construction	Grade	Finish	Lay	MBF (kN)	Approx Mass (kg/100m)	UOM	Metre per Reel
701015	1.5	1x19	304	Stainless Steel	RHOL	1.78	1.14	Metre	305
701020	2	1x19	304	Stainless Steel	RHOL	3.56	2	Metre	305
701025	2.5	1x19	304	Stainless Steel	RHOL	5.5	3.09	Metre	305
701030	3	1x19	304	Stainless Steel	RHOL	7.4	4.59	Metre	305
701040	4	1x19	304	Stainless Steel	RHOL	13.1	8.17	Metre	305
701050	5	1x19	304	Stainless Steel	RHOL	20.58	12.77	Metre	305
701060	6	1x19	304	Stainless Steel	RHOL	28.61	18.34	Metre	305
701070	7	1x19	304	Stainless Steel	RHOL	38.9	25	Metre	305
701080	8	1x19	304	Stainless Steel	RHOL	55.57	32.66	Metre	305
701100	10	1x19	304	Stainless Steel	RHOL	75.13	51.03	Metre	305



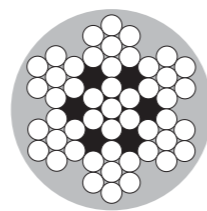
1x19 G316 Stainless Steel RHOL Wire Rope

Product Code	Dia (mm)	Construction	Grade	Finish	Lay	MBF (kN)	Approx Mass (kg/100m)	UOM	Metre per Reel
701115	1.6	1x19	316	Stainless Steel	RHOL	1.98	1.3	Metre	305
701120	2	1x19	316	Stainless Steel	RHOL	3.17	2	Metre	305
701130	3.2	1x19	316	Stainless Steel	RHOL	8.34	5.08	Metre	305
701140	4	1x19	316	Stainless Steel	RHOL	13.05	8.17	Metre	305
701150	5	1x19	316	Stainless Steel	RHOL	18.59	11.57	Metre	305
701180	8	1x19	316	Stainless Steel	RHOL	52.01	32.8	Metre	305



7x7 PVC G304 Stainless Steel RHOL PVC Coated Wire Rope

Product Code	Dia (mm)	Construction	Grade	Finish	PVC	Lay	MBF (kN)	Approx Mass (kg/100m)	UOM	Metre per Reel
705030	3	7x7	304	Stainless Steel	White	RHOL	10.01	6.6	Metre	305
705040	4	7x7	304	Stainless Steel	White	RHOL	10.67	7.5	Metre	305
705050	5	7x7	304	Stainless Steel	White	RHOL	16.44	11.65	Metre	305

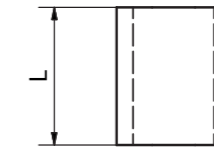
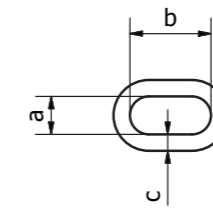


Copper Ferrules to DIN 3093



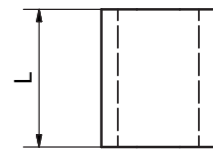
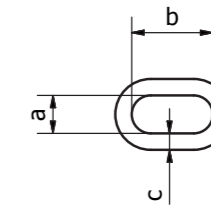
Product Code	Size (mm)	a (mm)	b (mm)	c (mm)	L (mm)	UOM	Pack Qty
617402	2	2.2	4.4	0.90	7	Each	5000
617402A	2.5	2.7	5.4	1.05	9	Each	5000
617403	3	3.3	6.6	1.25	11	Each	4000
617403A	3.5	3.8	7.6	1.5	13	Each	3000
617404	4	4.4	8.8	1.7	14	Each	1000
617404A	4.5	4.9	9.8	1.9	16	Each	1000
617405	5	5.5	11.0	2.1	18	Each	1000
617406	6	6.6	13.2	2.5	21	Each	1000
617406A	6.5	7.2	14.4	2.7	23	Each	1000
617407	7	7.8	15.6	2.9	25	Each	500

Product Code	Size (mm)	a (mm)	b (mm)	c (mm)	L (mm)	UOM	Pack Qty
617408	8	8.8	17.6	3.3	28	Each	100
617409	9	9.9	19.8	3.7	32	Each	100
617410	10	10.9	21.8	4.1	35	Each	100
617411	11	12.1	24.2	4.5	39	Each	100
617412	12	13.2	26.4	4.9	42	Each	100
617413	13	14.2	28.4	5.4	46	Each	100
617414	14	15.3	30.6	5.8	49	Each	100
617416	16	17.5	35.0	6.7	56	Each	50
617418	18	19.6	39.2	7.6	63	Each	25
617420	20	21.7	43.4	8.4	70	Each	20



Nickle Plated Ferrules to DIN 3093

Product Code	Size (mm)	a (mm)	b (mm)	c (mm)	L (mm)	UOM	Pack Qty
617416NP	1.6	1.8	3.6	1.05	6	Each	100
617402NP	2	2.2	4.4	0.90	7	Each	100
617402ANP	2.5	2.7	5.4	1.05	9	Each	100
617403NP	3	3.3	6.6	1.25	11	Each	100
617404NP	4	4.4	8.8	1.7	14	Each	100
617405NP	5	5.5	11.0	2.1	18	Each	100
617406NP	6	6.6	13.2	2.5	21	Each	100



STAINLESS STEEL CHAIN

G304 Stainless Steel Chain – General Link

Short Link – Sizes 4-10mm

Product Code	Size (mm)	S (mm)	R (mm)	F (mm)	Weight per metre	Finish	UOM	Metres per 100 kg
147104	4	4	18.6	16	0.32	Polished	Metre	384.6
147106	6	6	26	23.5	0.72	Polished	Metre	137.3
147108	8	8	32.2	29.5	1.28	Polished	Metre	80
147110	10	10	39	36.2	2.06	Polished	Metre	49.6

NOT TO BE USED FOR LIFTING

G316 Stainless Steel Chain – General Link

Short Link – Sizes 2-13mm

Product Code	Size (mm)	S (mm)	R (mm)	F (mm)	Weight per metre	Finish	UOM	Metres per 100 kg
146102	2	2	14.8	8.25	0.08	Polished	Metre	1666.6
146104	4	4	18.6	16	0.32	Polished	Metre	384.6
146106	6	6	26	23.5	0.72	Polished	Metre	137.3
146108	8	8	32.2	29.5	1.28	Polished	Metre	80
146110	10	10	39	36.2	2.06	Polished	Metre	49.6
146113	13	13	49.1	46.1	3.36	Polished	Metre	28.7

NOT TO BE USED FOR LIFTING

Grade 316 Stainless Steel Chain

Short Link – Sizes 4-10mm

Product Code	Size (mm)	S (mm)	R (mm)	F (mm)	Weight per metre	Finish	UOM	Metres per 100 kg
146204	4	4	24	13	0.32	Polished	Metre	312.5
146206	6	6	30.5	19.2	0.8	Polished	Metre	133.3
146208	8	8	40	25.6	1.4	Polished	Metre	74.8
146210	10	10	48	32	2.3	Polished	Metre	44.4

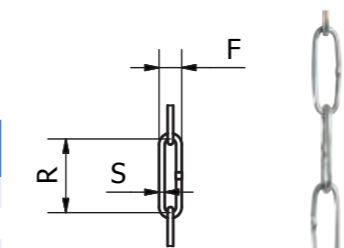
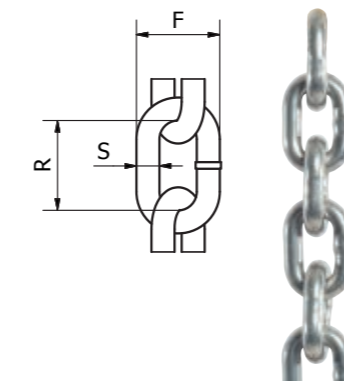
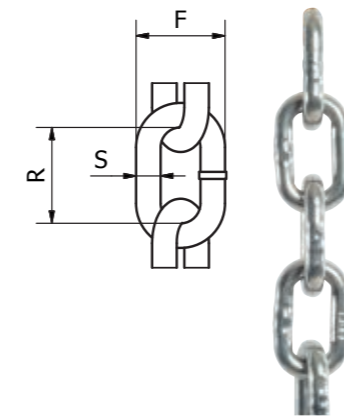
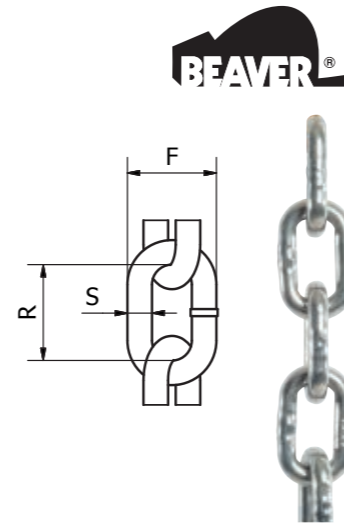
NOT TO BE USED FOR LIFTING

Grade 316 Stainless Steel Chain

Long Link

Product Code	Size (mm)	S (mm)	R (mm)	F (mm)	Weight per metre	Finish	UOM	Metres per 100 kg
146102L	2	2	26	8	0.061	Polished	Metre	1639

NOT TO BE USED FOR LIFTING

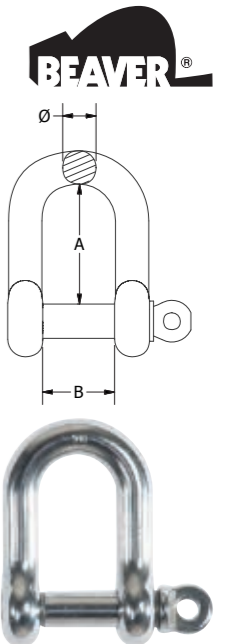


STAINLESS STEEL FITTINGS

G316 Stainless Steel Standard Dee Shackle

Product Code	Size (mm)	Grade	Shape	Closing Method	A (mm)	B (mm)	Weight (kg)	UOM	Pack Qty
615404	4	316	Dee	Screw	15	8.3	0.007	Each	1000
615405	5	316	Dee	Screw	17	11.3	0.013	Each	500
615406	6	316	Dee	Screw	22	12.3	0.021	Each	400
615408	8	316	Dee	Screw	28.6	17	0.052	Each	120
615410	10	316	Dee	Screw	35	20	0.11	Each	70
615412	12	316	Dee	Screw	45.5	25	0.19	Each	40
615416	16	316	Dee	Screw	56	32	0.37	Each	15
615419	19	316	Dee	Screw	67	38.5	0.72	Each	10
615422	22	316	Dee	Screw	77	43	1.1	Each	20
615425	25	316	Dee	Screw	85.5	46	1.6	Each	15

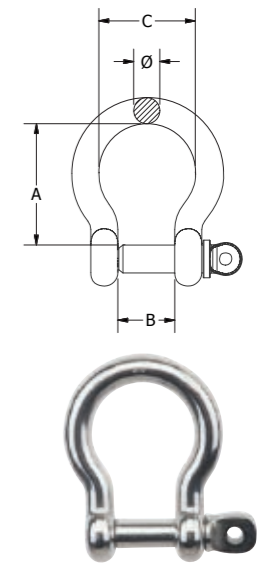
NOT TO BE USED FOR LIFTING



GG316 Stainless Steel Standard Bow Shackle

Product Code	Size (mm)	Grade	Shape	Closing Method	A (mm)	B (mm)	C (mm)	Weight (kg)	UOM	Pack Qty
615504	4	316	Bow	Screw	20	8	13	0.01	Each	1000
615505	5	316	Bow	Screw	23	10.8	17	0.02	Each	500
615506	6	316	Bow	Screw	31	13	21	0.03	Each	400
615508	8	316	Bow	Screw	36.5	17.5	28	0.06	Each	120
615510	10	316	Bow	Screw	44	21.5	35.5	0.11	Each	70
615512	12	316	Bow	Screw	52.5	27	41	0.22	Each	40
615516	16	316	Bow	Screw	73.5	32	54	0.49	Each	15
615519	19	316	Bow	Screw	85	35.6	64.4	0.78	Each	10
615522	22	316	Bow	Screw	94	41	74	1.32	Each	20

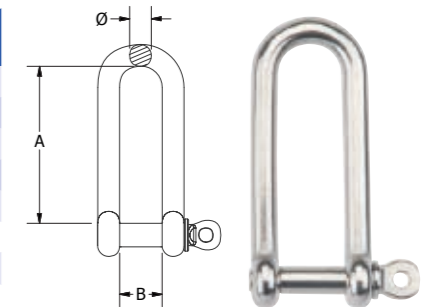
NOT TO BE USED FOR LIFTING



G316 Stainless Steel Long Dee Shackle

Product Code	Size (mm)	Grade	Shape	Closing Method	A (mm)	B (mm)	Weight (kg)	UOM	Pack Qty
611404	4	316	Dee	Screw	31.3	7.5	0.01	Each	300
611406	6	316	Dee	Screw	45.3	13.5	0.03	Each	200
611408	8	316	Dee	Screw	60	16.5	0.07	Each	100
611410	10	316	Dee	Screw	75.5	20.8	0.16	Each	50
611412	12	316	Dee	Screw	90	25	0.27	Each	25

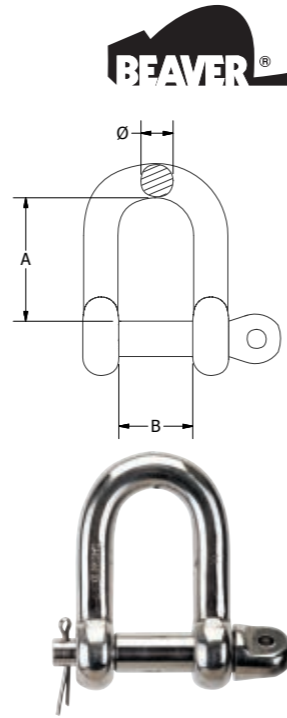
NOT TO BE USED FOR LIFTING



G316 Stainless Steel "D" Shackle c/w Captive Pin

Product Code	Size (mm)	Grade	Shape	Closing Method	A (mm)	B (mm)	Weight (kg)	UOM	Pack Qty
615305	5	316	Dee	Screw	17.8	10.4	0.01	Each	500
615306	6	316	Dee	Screw	22.5	13	0.02	Each	400
615308	8	316	Dee	Screw	24.5	17.3	0.05	Each	100
615310	10	316	Dee	Screw	35.6	22.6	0.09	Each	60
615312	12	316	Dee	Screw	42.4	25	0.18	Each	40

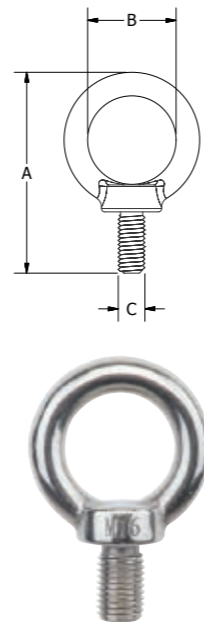
NOT TO BE USED FOR LIFTING



G316 Stainless Steel Eye Bolts

Product Code	Size (mm)	Grade	A (mm)	B (mm)	C (mm)	Weight (kg)	UOM	Pack Qty
612406	6	316	37.4	16.8	M6	0.01	Each	300
612408	8	316	47	20.6	M8	0.02	Each	200
612410	10	316	60.7	25.6	M10	0.05	Each	100
612412	12	316	72.3	29.7	M12	0.1	Each	50
612416	16	316	86	35	M16	0.15	Each	20
612420	20	316	103	40.5	M20	0.38	Each	10
612424	24	316	129	49.6	M24	0.85	Each	5

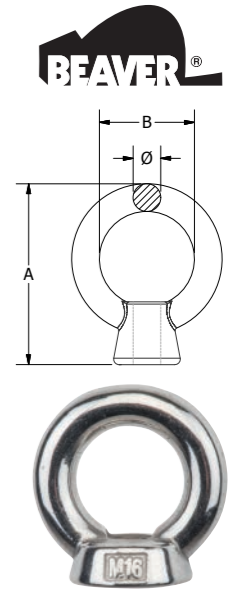
NOT TO BE USED FOR LIFTING



G316 Stainless Steel Eye Nuts

Product Code	Size (mm)	Grade	A (mm)	B (mm)	C (mm)	Weight (kg)	UOM	Pack Qty
612506	6	316	4.7	31.3	16.3	0.015	Each	200
612508	8	316	5	38.7	21	0.024	Each	200
612510	10	316	7	48.9	25.8	0.05	Each	100
612512	12	316	9.6	59.7	30.3	0.08	Each	50
612516	16	316	12	70.3	35.3	0.18	Each	50
612520	20	316	15	84	40.2	0.34	Each	25
612524	24	316	19	102.6	50.5	0.56	Each	10

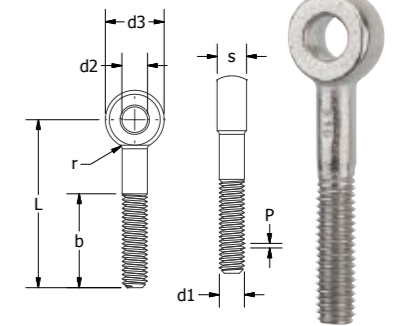
NOT TO BE USED FOR LIFTING



G316 Stainless Steel Eye Bolt DIN 444

Product Code	Size (mm)	Grade	S (mm)	P (mm)	d2 (mm)	d3 (mm)	L (mm)	b (mm)	Weight (kg)	UOM	Pack Qty
612640	M6	316	9	1	6	14	40	18	0.01	Each	250
612860	M8	316	11	1.25	8	18	60	22	0.03	Each	250

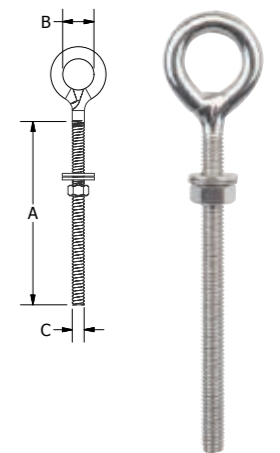
NOT TO BE USED FOR LIFTING



G304 Stainless Steel Eye Bolt with Nut and Two Washers

Product Code	Size (mm)	Grade	A (mm)	B (mm)	C (mm)	Weight (kg)	UOM	Pack Qty
618451	5 x 50	304	50	11	M5	0.01	Each	300
618461	6 x 40	304	40	13	M6	0.02	Each	200
618462	6 x 80	304	80	13	M6	0.03	Each	200
618463	6 x 55	304	55	13	M6	0.02	Each	200
618464	6 x 100	304	100	13	M6	0.03	Each	200
618481	8 x 80	304	80	17	M8	0.06	Each	120
618482	8 x 100	304	100	17	M8	0.06	Each	100
618483	8 x 120	304	120	17	M8	0.07	Each	100
618493	10 x 120	304	120	21	M10	0.12	Each	50
618496	12 x 120	304	120	25	M12	0.17	Each	25

NOT TO BE USED FOR LIFTING

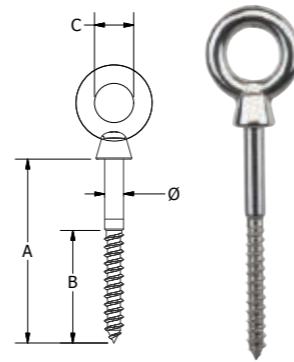


G304 Stainless Steel Eye Bolts with Nut and Two Washers



Product Code	Size (mm)	Grade	Dia ϕ (mm)	A (mm)	B (mm)	C (mm)	Weight (kg)	UOM	Pack Qty
618060	6x60	316	6	60	36	14	0.027	Each	250
618080	8x80	316	8	81	48	18.4	0.05	Each	200
618010	10x100	316	10	98	60	22	0.12	Each	50
618012	12x120	316	12	122.5	72	27.3	0.2	Each	20

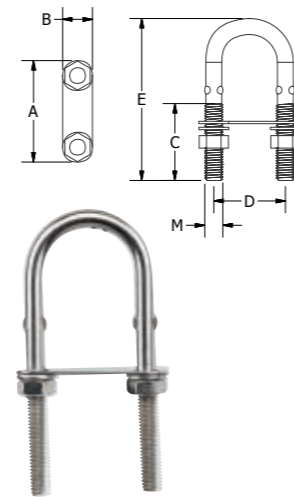
NOT TO BE USED FOR LIFTING



G304 Stainless Steel 'U' Bolts with Washer and Nut

Product Code	Size (mm)	Grade	A (mm)	B (mm)	C (mm)	D (mm)	E (mm)	M (mm)	Weight (kg)	UOM	Pack Qty
619005	5x80	304	50	13	39	35	80	M5	0.028	Each	100
619006	6x90	304	50	15	40	35	90	M6	0.04	Each	100
619008	8x80	304	50	15	40	35	80	M8	0.07	Each	80
619008A	8x100	304	50	15	50	35	101.3	M8	0.08	Each	50
619010	10x130	304	70.6	20	55	50	130	M10	0.18	Each	50
619012	12x150	304	83	23	73.6	58.6	150	M12	0.3	Each	50

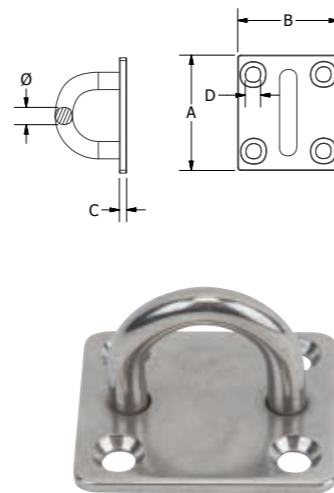
NOT TO BE USED FOR LIFTING



G304 Stainless Steel Square Pad Eye

Product Code	Size (mm)	Grade	Dia ϕ (mm)	A (mm)	B (mm)	C (mm)	D (mm)	Weight (kg)	UOM	Pack Qty
616205	5	304	4.1	35	30.6	2.4	5	0.01	Each	200
616206	6	304	5.3	40	40.8	2.5	6	0.03	Each	100
616208	8	304	5.6	50	45.5	3.5	8	0.06	Each	80

NOT TO BE USED FOR LIFTING

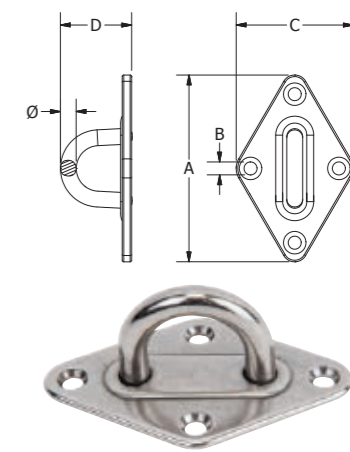


G304 Stainless Steel Diamond Pad Eye



Product Code	Size (mm)	Grade	A (mm)	B (mm)	C (mm)	D (mm)	Weight (kg)	UOM	Pack Qty
618005	5	304	58.8	4	36.5	22.5	0.029	Each	250
618006	6	304	63.9	4.4	40	27	0.04	Each	250
618008	8	304	79.9	5.5	48.8	33	0.07	Each	250

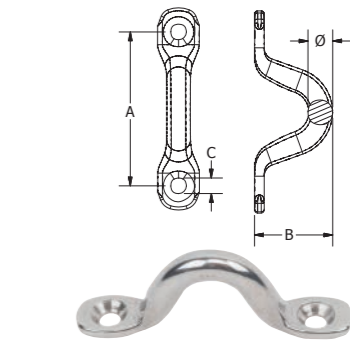
NOT TO BE USED FOR LIFTING



G304 Stainless Steel Wire Eye Saddles

Product Code	Size (mm)	Grade	A (mm)	B (mm)	C (mm)	Weight (kg)	UOM	Pack Qty
617704	4	304	32	15.8	3.2	0.004	Each	1400
617705	5	304	40	18	4.3	0.007	Each	600
617706	6	304	44	22	5.3	0.013	Each	500
617708	8	304	51	23	5.2	0.025	Each	200

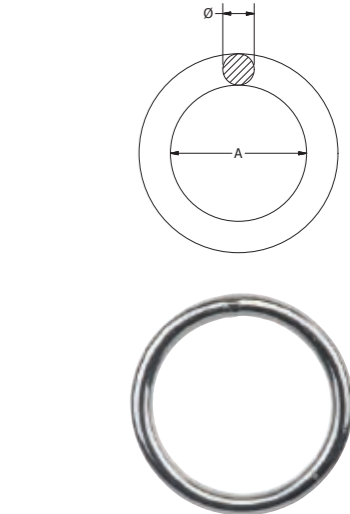
NOT TO BE USED FOR LIFTING



G304 Stainless Steel Wire Eye Saddles

Product Code	Size (mm)	Grade	A (mm)	Weight (kg)	UOM	Pack Qty
616541	4	304	25	0.008	Each	300
616542	4	304	40	0.01	Each	250
616550	5	304	25	0.025	Each	200
616551	5	304	35	0.027	Each	100
616561	6	304	40	0.03	Each	100
616562	6	304	50	0.038	Each	100
616581	8	304	55	0.06	Each	50
616582	8	304	75	0.09	Each	50
616591	10	304	75	0.16	Each	50

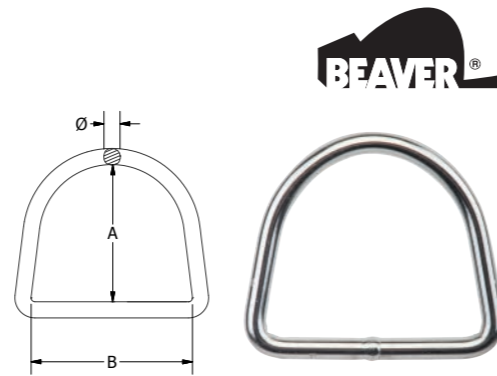
NOT TO BE USED FOR LIFTING



G304 Stainless Steel Dee Rings

Product Code	Size (mm)	Grade	A (mm)	B (mm)	Weight (kg)	UOM	Pack Qty
616541D	4	304	25	30	0.008	Each	600
616552D	5	304	40	40	0.025	Each	300
616562D	6	304	50	35	0.03	Each	100
616580D	8	304	50	70	0.069	Each	100
616582D	8	304	75	80	0.075	Each	100

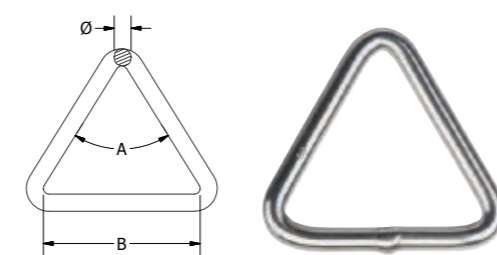
NOT TO BE USED FOR LIFTING



G304 Stainless Steel Triangle

Product Code	Size (mm)	Grade	A°	B (mm)	Weight (kg)	UOM	Pack Qty
616562T	6	304	60	50.8	0.03	Each	200
616580T	8	304	60	50	0.06	Each	150

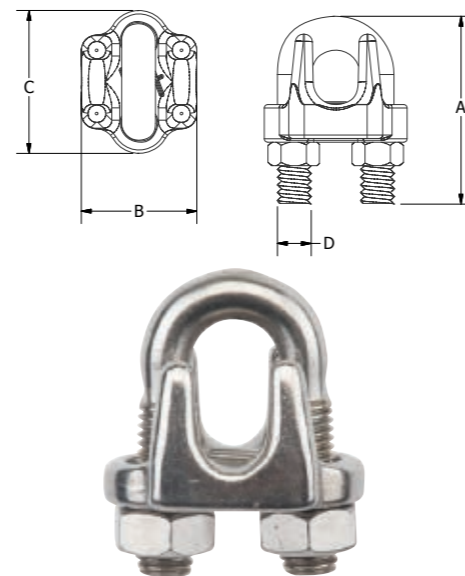
NOT TO BE USED FOR LIFTING



G316 Stainless Steel Wire Rope Grips

Product Code	Rope Size (mm)	Grade	A (mm)	B (mm)	C (mm)	D (mm)	Weight (kg)	UOM	Pack Qty
612202	2	316	18	13	15.3	M3	0.01	Each	800
612203	3	316	24.5	14.5	15.8	M4	0.015	Each	800
612204	4	316	24	18	18.5	M4	0.02	Each	500
612205	5	316	29	19.6	23	M5	0.022	Each	300
612206	6	316	31	20.5	26.3	M6	0.03	Each	200
612208	8	316	41	27	33.5	M8	0.08	Each	100
612210	10	316	52	33.8	42.7	M10	0.15	Each	50
612212	12	316	61	37.8	50	M12	0.23	Each	30
612214	14	316	67.5	42	50.6	M12	0.28	Each	25
612216	16	316	76	47	60	M14	0.41	Each	20
612220	20	316	79	51	61.5	M14	0.47	Each	10
612225	25	316	110	60	75.5	M16	0.93	Each	5

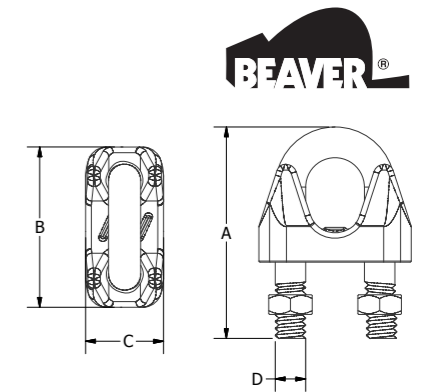
NOT TO BE USED FOR LIFTING



G316 Stainless Steel Wire Rope Grips (Light Duty)

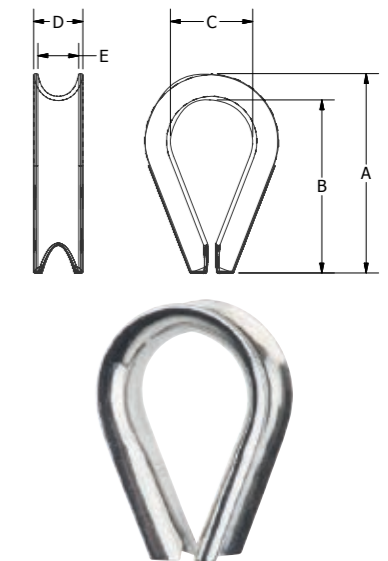
Product Code	Rope Size (mm)	Grade	A (mm)	C (mm)	B (mm)	D (mm)	Weight (kg)	UOM	Pack Qty
612203L	3	316	21.2	10	17	M3	0.01	Each	400
612204L	4	316	24	11	21.3	M4	0.016	Each	300
612206L	6	316	31.8	15.8	27.5	M6	0.036	Each	100

NOT TO BE USED FOR LIFTING



G316 Stainless Steel Wire Rope Thimbles

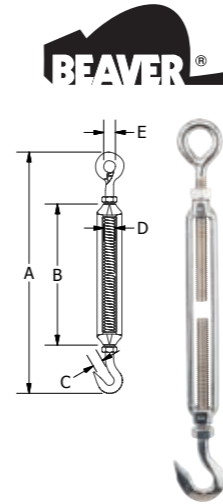
Product Code	Rope Size (mm)	Grade	A (mm)	B (mm)	C (mm)	D (mm)	E (mm)	Weight (kg)	UOM	Pack Qty
612302	2	316	20.6	18	7.5	4.5	3	0.005	Each	1000
612303	3	316	24.3	21	10	6	4.3	0.007	Each	800
612304	4	316	27.8	24.8	11	6.6	5.2	0.008	Each	500
612305	5	316	30.5	26	13	8.5	6.8	0.009	Each	400
612306	6	316	37	32.6	15.5	10	8.8	0.01	Each	250
612308	8	316	51.5	45.5	23	12.5	10	0.02	Each	130
612310	10	316	56.4	50	27	14.6	12	0.03	Each	50
612312	12	316	68	61	32.5	18	14.5	0.05	Each	30
612316	16	316	82.7	75	37.5	22	19	0.09	Each	25



G316 Stainless Steel Hook and Eye Turnbuckles with Lock Nuts

Product Code	Thread Size (mm)	Grade	A (mm)	B (mm)	C (mm)	D (mm)	E (mm)	Weight (kg)	UOM	Pack Qty
600404	4	316	110	61.5	9	M4	8	0.02	Each	300
600405	5	316	127.5	71	9.5	M5	10	0.05	Each	150
600406	6	316	163	90.5	9	M6	12	0.08	Each	90
600408	8	316	212	122	10.3	M8	14	0.15	Each	50
600410	10	316	259	151.5	12.5	M10	16	0.29	Each	20
600412	12	316	321	201	14	M12	18	0.59	Each	10
600416	16	316	397	244	16	M16	26	0.09	Each	5

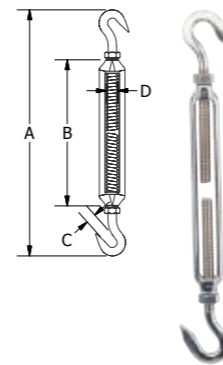
NOT TO BE USED FOR LIFTING



G316 Stainless Steel Hook and Hook Turnbuckles with Lock Nuts

Product Code	Thread Size (mm)	Grade	A (mm)	B (mm)	C (mm)	D (mm)	Weight (kg)	UOM	Pack Qty
600404H	4	316	116	61.5	9	M4	0.02	Each	300
600405H	5	316	130	71	9.5	M5	0.05	Each	150
600406H	6	316	167	90.5	8.5	M6	0.08	Each	90
600408H	8	316	214	122	10.3	M8	0.15	Each	50
600410H	10	316	265	151.5	12.5	M10	0.29	Each	20
600412H	12	316	320	201	15	M12	0.59	Each	10
600416H	16	316	385	244	16	M16	0.09	Each	5

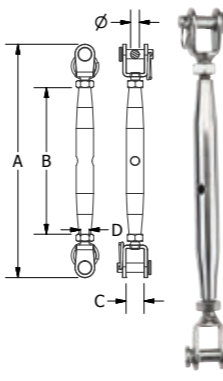
NOT TO BE USED FOR LIFTING



G316 Stainless Steel Jaw and Jaw Bottle Screw

Product Code	Thread Size (mm)	Grade	A (mm)	B (mm)	C (mm)	D (mm)	Weight (kg)	UOM	Pack Qty
601505	5	316	138	81	10.3	M5	0.04	Each	80
601506	6	316	153	92	10.3	M6	0.07	Each	50
601508	8	316	188	112	11.2	M8	0.15	Each	50
601510	10	316	212	121	15	M10	0.28	Each	50
601512	12	316	266	150	17.5	M12	0.49	Each	30

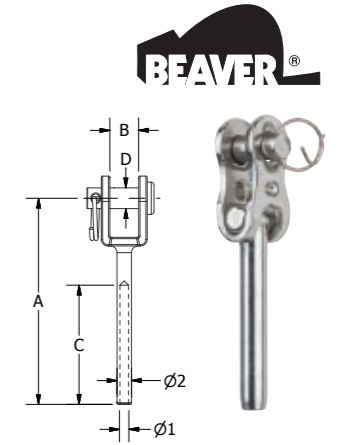
NOT TO BE USED FOR LIFTING



G316 Stainless Steel Swage Jaw Toggle Terminal

Product Code	Rope Size (inches)	Grade	Dia 1 (mm)	Dia 2 (mm)	A (mm)	B (mm)	C (mm)	D (mm)	Weight (kg)	UOM	Pack Qty
605303	1/8"	316	3.3	6.35	65	7.5	32	6	0.03	Each	250
605304	5/32"	316	4.3	7.5	77	10	40	6	0.04	Each	100
605305	3/16"	316	5.3	9	88	12	57	10	0.07	Each	50
605306	1/4"	316	6.3	12.5	106	14	63	12	0.162	Each	30

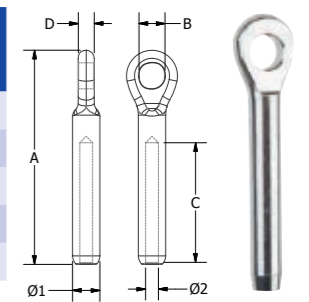
NOT TO BE USED FOR LIFTING



G316 Stainless Steel Swage Eye End Terminal

Product Code	Rope Size (Inches)	Rope Size (mm)	Grade	Dia 1 (mm)	Dia 2 (mm)	A (mm)	B (mm)	C (mm)	D (mm)	Weight (kg)	UOM	Pack Qty
601803	1/8"	3.2	316	6.3	3.5	62.3	6.5	38.7	3.8	0.012	Each	500
601804	5/32"	4	316	7.5	4.3	77	8.5	45	4.9	0.023	Each	300
601805	3/16"	5	316	9	5.3	89	10.6	53.8	5.8	0.035	Each	200
601806	1/4"	6	316	12.5	6.3	106.7	13	63	7.8	0.085	Each	150
601808	5/16"	8	316	16	8.3	135	14.7	81.8	9.9	0.17	Each	100

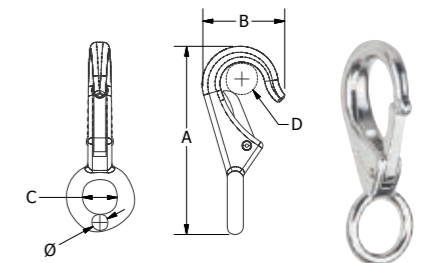
NOT TO BE USED FOR LIFTING



G316 Stainless Steel Rigid Eye Snap Hook

Product Code	Rope Size (mm)	Grade	A (mm)	B (mm)	C (mm)	D (mm)	Weight (kg)	UOM	Pack Qty
618810	3.8	316	55.8	23.5	12.2	8.8	0.02	Each	300
618815	4.5	316	72.8	29.6	16.7	8.8	0.037	Each	300
618817	6.1	316	86.5	37	19.4	12	0.06	Each	200

NOT TO BE USED FOR LIFTING

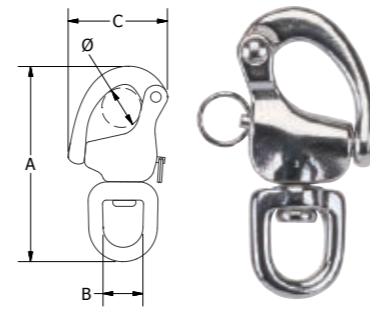


G316 Stainless Steel Swivel Eye Snap Shackle



Product Code	Rope Size (mm)	Grade	A (mm)	B (mm)	C (mm)	Weight (kg)	UOM	Pack Qty
618512	12	316	71	13	33	0.06	Each	150
618516	16	316	86	15	42	0.11	Each	100
618522	22	316	122	20.6	58	0.4	Each	50

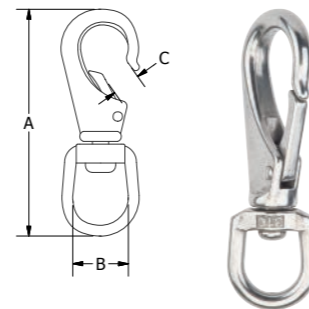
NOT TO BE USED FOR LIFTING



G316 Stainless Steel Swivel Eye Snap

Product Code	Rope Size (mm)	Grade	A (mm)	B (mm)	C (mm)	Weight (kg)	UOM	Pack Qty
616812	12	316	87.5	21.5	9.8	0.05	Each	100
616816	16	316	101	21.9	11.5	0.1	Each	50
616825	25	316	118.5	22.3	12	0.15	Each	10

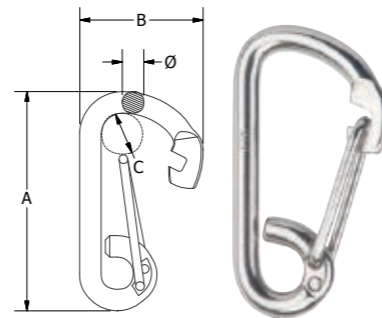
NOT TO BE USED FOR LIFTING



G316 Stainless Steel Angled Spring Hooks

Product Code	Rope Size (mm)	Grade	A (mm)	B (mm)	C (mm)	Weight (kg)	UOM	Pack Qty
616606	6	316	60	34.5	12.5	0.03	Each	500
616608	8	316	80	46	17	0.06	Each	100
616610	10	316	100	55	23.5	0.19	Each	50
616612	12	316	120	72	28	0.23	Each	50

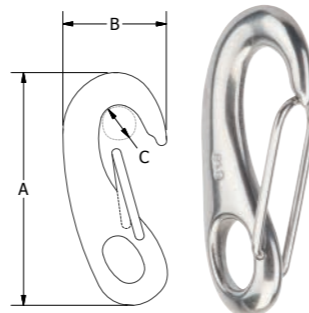
NOT TO BE USED FOR LIFTING



G316 Stainless Steel Spring Snap Hooks

Product Code	Rope Size (mm)	Grade	A (mm)	B (mm)	C (mm)	Weight (kg)	UOM	Pack Qty
616705	5	316	49.5	25	8	0.02	Each	400
616707	7	316	68.8	31.5	12.5	0.04	Each	150
616710	10	316	97	47	20	0.12	Each	50

NOT TO BE USED FOR LIFTING

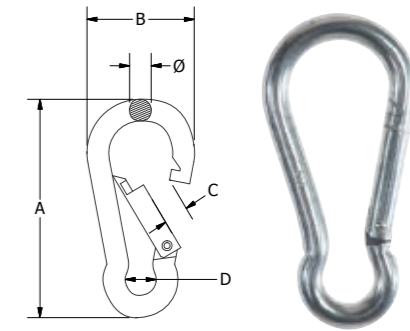


G316 Stainless Steel Carbine Eye Hooks



Product Code	Rope Size (mm)	Grade	A (mm)	B (mm)	C (mm)	D (mm)	Weight (kg)	UOM	Pack Qty
618304	4	316	42	20	6	5	0.01	Each	500
618204	4.5	316	42	20.5	6	6.5	0.01	Each	600
618305	5	316	50	26.5	7	7.8	0.02	Each	400
618205	5	316	50	26.5	7	8	0.018	Each	500
618306	6	316	60	30	7.5	7.8	0.03	Each	300
618206	6	316	60	30	7.5	8.5	0.028	Each	400
618308	8	316	80	40.5	10	10.8	0.06	Each	100
618208	8	316	80	40.5	10	12	0.055	Each	100
618310	10	316	100	50	12	14	0.15	Each	50
618210	10	316	100	50	12	15	0.145	Each	50
618211	11	316	120	58	16	19	0.18	Each	40
618312	12	316	140	64	21	20	0.24	Each	25

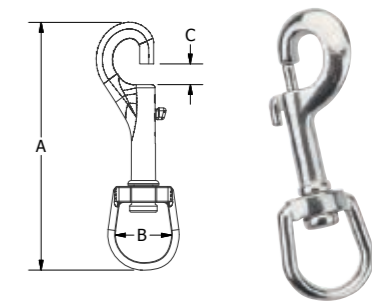
NOT TO BE USED FOR LIFTING



G316 Stainless Steel Swivel Eye Snap Hook

Product Code	Rope Size (mm)	Grade	A (mm)	B (mm)	C (mm)	Weight (kg)	UOM	Pack Qty
616995	16	316	90	15.8	12	0.05	Each	140
616996	20	316	93	19	11.3	0.055	Each	100

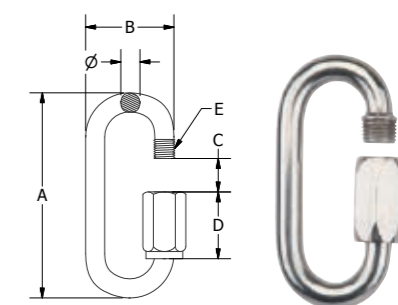
NOT TO BE USED FOR LIFTING



G304 Stainless Steel Quick Links

Product Code	Rope Size (mm)	Grade	A (mm)	B (mm)	C (mm)	D (mm)	E (mm)	Weight (kg)	UOM	Pack Qty
601604	4	316	43	18.5	7	14	4	0.011	Each	300
601605	5	316	52	22.5	8.5	18	5	0.02	Each	300
601606	6	316	61.5	27	9.5	21	6	0.03	Each	200
601608	8	316	77	35.5	11	25	8	0.07	Each	150
601610	10	316	89	42	13.5	28	10	0.14	Each	100

NOT TO BE USED FOR LIFTING

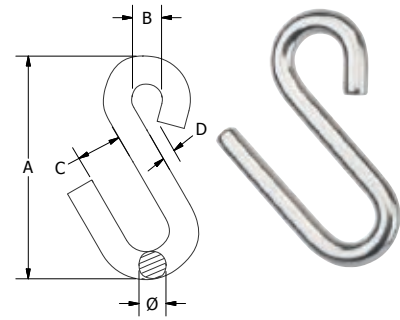


G304 Stainless Steel 'S' Hooks



Product Code	Rope Size (mm)	Grade	A (mm)	B (mm)	C (mm)	D (mm)	Weight (kg)	UOM	Pack Qty
617006	6	316	64.5	11	12	5	0.032	Each	300
617008	8	316	75	16	17	4.5	0.06	Each	300
617010	9.5	316	95	20.8	21	8.8	0.13	Each	200

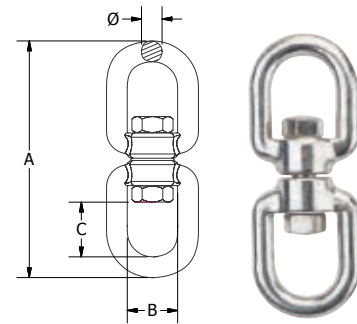
NOT TO BE USED FOR LIFTING



G316 Stainless Steel Eye and Eye Swivels

Product Code	Rope Size (mm)	Grade	A (mm)	B (mm)	C (mm)	WLL (kg)	Weight (kg)	UOM	Pack Qty
619106	6	316	66	15	15.5	300	0.05	Each	100
619108	8	316	90	19	21.5	475	0.12	Each	100
619110	10	316	112	23.5	26.5	875	0.21	Each	100
619113	13	316	148	33	33	1250	0.51	Each	50
619116	16	316	184	38	44	2125	0.95	Each	25

NOT TO BE USED FOR LIFTING



G316 Stainless Steel Jaw and Jaw Swivels

Product Code	Rope Size (mm)	Grade	A (mm)	B (mm)	C (mm)	WLL (kg)	Weight (kg)	UOM	Pack Qty
619306	6	316	64.4	12	12	300	0.07	Each	100
619308	8	316	87	16	15.5	475	0.14	Each	100
619310	10	316	111	18.5	20.5	875	0.258	Each	50
619313	13	316	143.5	26	25.5	1250	0.62	Each	25

NOT TO BE USED FOR LIFTING

